

Product data sheet

Specifications



I/O expansion module, Modicon M238 logic controller, Twido, 16 outputs relay, 1 removable screw terminal block, wear part

TM2DRA16RT

⚠ Discontinued - Service only

⚠ Discontinued on: 01 December 2020

⚠ To be end-of-service on: 30 June 2024

Main

Range of Product	Modicon M238 logic controller
Product or Component Type	I/O expansion module
Discrete output number	16
Discrete output type	Relay

Complementary

Range Compatibility	Twido Advantys OTB
Discrete output function	1 NO
Current per channel	2 A
Maximum current per output common	8 A
Number of common point	2
Contact resistance	45 mOhm
Response time	<= 10 ms from state 0 to state 1 input <= 5 ms from state 1 to state 0 input
Minimum switching current	0.1 mA 0.1 V DC
Isolation between channels	1500 V for 1 minute
Isolation between channels and internal logic	2300 V for 1 minute
Isolation between output channels group	1500 V for 1 minute
Mechanical durability	2000000 cycles
Electrical durability	100000 cycles 0.5 A AC-15 240 V AC cos phi = 0.35 inductive 100000 cycles 1 A AC-15 240 V AC cos phi = 0.7 inductive 100000 cycles 1 A DC-13 24 V DC inductive (L/R = 7 ms) 100000 cycles 2 A 240 V AC resistive 100000 cycles 2 A 30 V DC resistive
Current consumption	30 mA 5 V DC at state 1 for all output 40 mA 24 V DC at state 1 for all output
Local signalling	1 display block
Electrical connection	1 removable screw terminal block
Mounting Support	35 mm symmetrical DIN rail

Net Weight	0.32 lb(US) (0.145 kg)
------------	------------------------

Environment

Depth	3.33 in (84.6 mm)
Height	3.54 in (90 mm)
Width	1.07 in (27.3 mm)

Ordering and shipping details

Category	80230-IG SEBA TO SEUSA
Discount Schedule	BMS1
GTIN	3595863995985
Returnability	No
Country of origin	JP

Packing Units

Unit Type of Package 1	PCE
Number of Units in Package 1	1
Package 1 Height	2.94 in (7.461 cm)
Package 1 Width	4.12 in (10.469 cm)
Package 1 Length	4.90 in (12.445 cm)
Package 1 Weight	8.41 oz (238.4 g)
Unit Type of Package 2	S01
Number of Units in Package 2	5
Package 2 Height	5.91 in (15 cm)
Package 2 Width	5.91 in (15 cm)
Package 2 Length	15.75 in (40 cm)
Package 2 Weight	2.96 lb(US) (1.342 kg)
Unit Type of Package 3	PAL
Number of Units in Package 3	25
Package 3 Height	11.77 in (29.9 cm)
Package 3 Width	15.67 in (39.8 cm)
Package 3 Length	9.84 in (25 cm)
Package 3 Weight	14.48 lb(US) (6.567 kg)

Offer Sustainability

Sustainable offer status	Green Premium product
California proposition 65	WARNING: This product can expose you to chemicals including: Lead and lead compounds, which is known to the State of California to cause cancer and birth defects or other reproductive harm. For more information go to www.P65Warnings.ca.gov
REACH Regulation	REACH Declaration
REACH free of SVHC	Yes
EU RoHS Directive	Pro-active compliance (Product out of EU RoHS legal scope) EU RoHS Declaration
Mercury free	Yes
China RoHS Regulation	China RoHS declaration

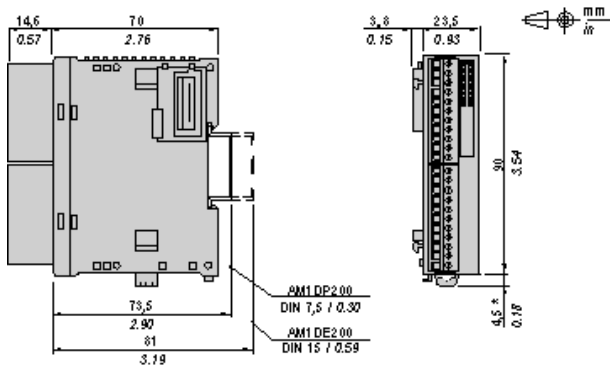
RoHS exemption information	Yes
Circularity Profile	End of Life Information
WEEE	The product must be disposed on European Union markets following specific waste collection and never end up in rubbish bins.
PVC free	Yes

Contractual warranty

Warranty	18 months
-----------------	-----------

Digital Relay Output Module (16-contact)

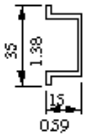
Dimensions



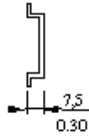
NOTE: * 8.5 mm (0.33 in) when the clamp is pulled out.

DIN Rail Mounting

AM1DE200
 IEC/EN 60715



AM1DP200



AM1ED200



DZ5MB200

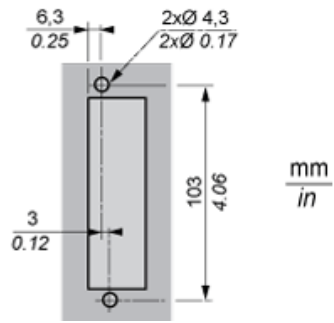
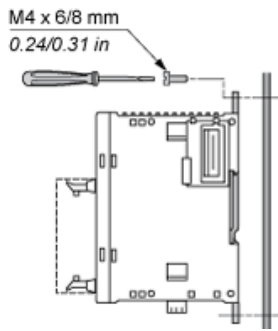


Rail depth	Catalogue part number
15 mm (0.59 in.)	AM1DE200
7,5 mm (0.30 in.)	AM1DP200

NOTE: Do not use AM1ED200 and DZ5MB200

Module Mounting on a Panel Surface

Mounting Hole Layout



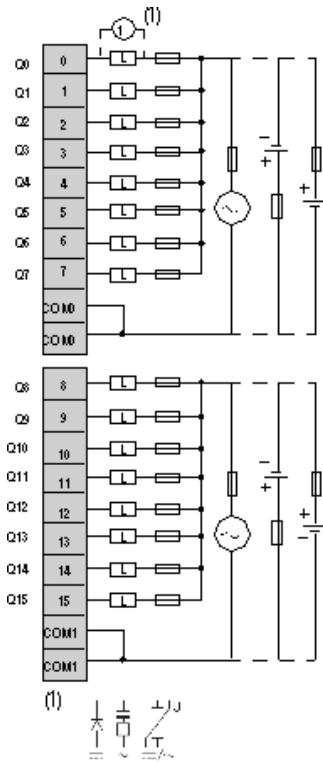
Wiring Requirements

Cable Types and Wire Sizes for Removable Screw Terminal Block

 9 0.35 mm in.							
mm ²	0,14...1,5	0,25...0,5	0,25...1,5	0,14...0,5	0,14...0,75	0,25...0,34	0,5
AWG	26...16	24...20	24...16	26...20	26...18	24...22	20

Digital Relay Output Module (16-contact)

Wiring Diagram



L Load

Recommended replacement(s)

TM2DRA16RT is replaced by the following product range:



Modicon TM3 Expansion I/O modules for M221, M241, M251

Modicon TM3 I/O system specially designed for the Modicon M221, M241 and M251 logic controllers!

Products: 65